



# ORB

## INDUSTRIAL RADIAL FANS / Forward Curved

### Fan Components and Material Properties

Body and fan are made of electrostatic powder coated sheet metal. Motor and fan are connected to main body by steel base. All models have asynchronous motor. It is capable of carrying air at a temperature of Max.120°C.

### Fan Structure

Single suction, medium pressure radial fan type. The fan blades are aerodynamically curved and provide regular flow.

### Benefits

It provides high performance in medium and high static pressures.

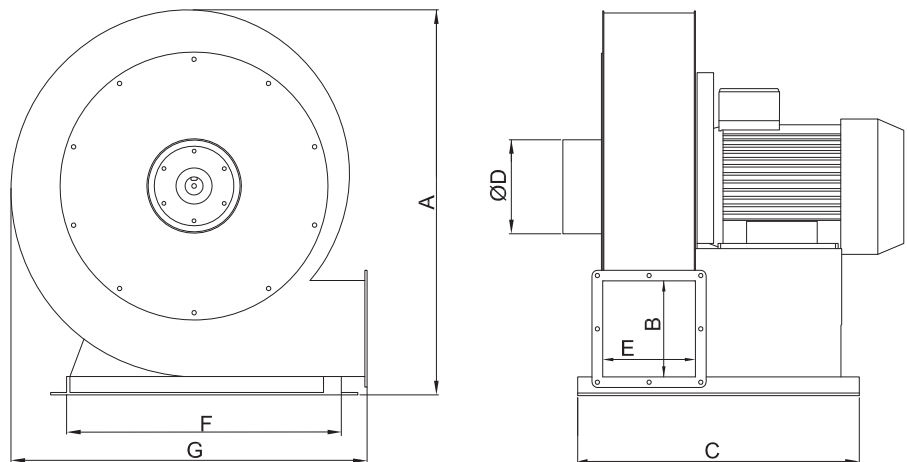
### Speed Control

Optional control devices can be provided. Speed control with frequency inverter can be done in 3-phase products (see BSC-F accessory)

### Usage Areas

It can be used in dust collection, smoke and exhaust evacuation, fine grained material transport (marble dust, granule, plastic etc.), printing houses, paper, furniture, timber, fiberboard, ceramic and marble factories.

### Technical Drawing and Tables



TYPE	A	B	C	D	E	F	G
ORB 1	430	95	340	120	100	320	380
ORB 2	500	95	340	120	100	370	380
ORB 3	560	95	340	120	100	390	400
ORB 4	590	110	420	150	120	450	600
ORB 5	650	110	440	150	120	450	600
ORB 6	670	140	520	150	150	450	700
ORB 7	760	140	550	150	150	510	750
ORB 8	810	140	600	150	150	630	800
ORB 9	830	140	640	180	150	630	850

Dimensions are in (mm)

### Accessories



TYPE	VOLTAGE	FREQUENCY	POWER	CURRENT	CAPACITOR	SPEED	AIR FLOW	SOUND PRESSURE	INSULATION CLASS	PROTECTION CLASS	WEIGHT
	V	Hz	kW	(A)	( $\mu$ F)	r.p.m	m <sup>3</sup> /h	dB(A)	Ins.cl.	IP	kg
ORB 1M	230	50	0,37	2,5	15	2800	950	56	F	55	30
ORB 2M	230	50	0,75	5	30	2760	1000	59	F	55	35
ORB 3M	230	50	1,1	7	35	2770	1300	60	F	55	37
ORB 4M	230	50	1,5	9,8	40	2820	1600	62	F	55	53
ORB 5M	230	50	2,2	13,5	50	2800	1900	64	F	55	70
ORB 6M	230	50	3	17,7	60	2850	2200	65	F	55	86
ORB 1T	380	50	0,37	1,05	-	2800	950	56	F	55	30
ORB 2T	380	50	0,75	1,75	-	2760	1000	59	F	55	35
ORB 3T	380	50	1,1	2,3	-	2770	1300	60	F	55	37
ORB 4T	380	50	1,5	3,3	-	2820	1600	62	F	55	53
ORB 5T	380	50	2,2	4,5	-	2800	1900	64	F	55	70
ORB 6T	380	50	3	5,8	-	2850	2200	65	F	55	86
ORB 7T	380	50	4	7,9	-	2880	2500	69	F	55	96
ORB 8T	380	50	5,5	10,3	-	2900	3000	72	F	55	108
ORB 9T	380	50	7,5	13,6	-	2910	4000	74	F	55	125

The sound level is measured at a distance of 3 m in open field condition.

