



OBR 200

SHEET METAL HOUSING / Forward Curved

Fan Components and Material Properties

Fan body is made of DKP sheet metal with electrostatic powder coating. The fans operate at high efficiency and low noise level. In centrifugal fans, higher air transfer is possible due to the fact that the motor is out of airflow. Uses asynchronous motor.

Fan Structure

Single suction, forward curved radial fan type. The fan wheel is made of high quality galvanized steel which is resistant to corrosion and is manufactured in aerodynamic structure to ensure regular flow. Thanks to its aerodynamic blade structure, it works silently (200M-2K * model has aluminum cast sparse wings).

Benefits

It works with low noise levels and is designed to be maintenance-free for long periods of time. Due

to its frequent wing structure and efficient motor, it produces high flow rate and pressure compared to its dimensions. Provides advantages in areas where space is limited. Speed adjustable with speed control devices.

Speed Control

Optional control devices can be provided.

1~phase products with linear voltage regulator speed control can be done. (see BSC accessory)

3~phase products with frequency inverter speed control can be done. (see BSC-F accessory)

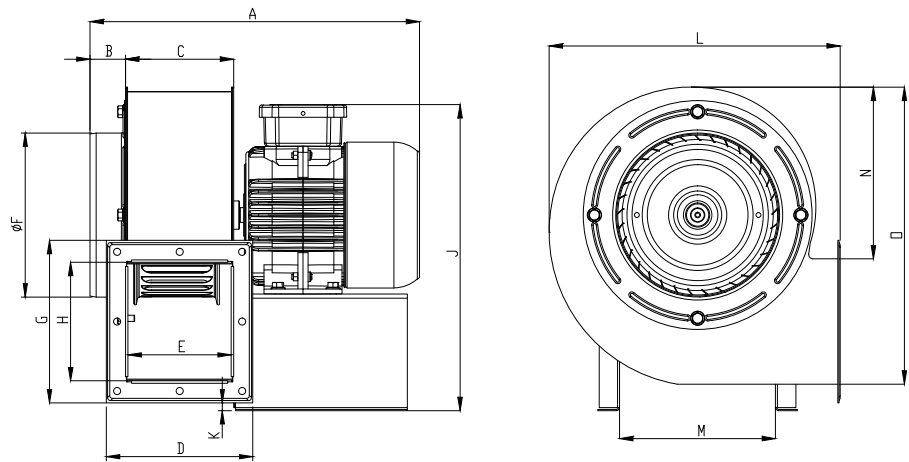
Usage Areas

Greenhouses, factories, warehouses, paint shops, shopping centers, factories, plastic and packaging machines etc. The machine is also used by machine manufacturers, except for the use of the space ventilation.

Accessories



Technical Drawing and Tables



TYPE	A	B	C	D	E	F	G	H	J	K	L	M	N	O
OBR 200	322	34	109	146	102	163	161	115	310	17	288	150	170	295

Dimensions are in (mm)

TYPE	VOLTAGE	FREQUENCY	POWER	CURRENT	CAPACITOR	SPEED	AIR FLOW	SOUND PRESSURE	INSULATION CLASS	PROTECTION CLASS	WEIGHT
	V	Hz	W	(A)	(μ F)	r.p.m	m ³ /h	dB(A)	Ins.cl.	IP	kg
OBR 200M-2K	230	50	450	2	8	2770	1800	55	B	44	9
OBR 200M-4K	230	50	190	1,1	8	1450	850	50	B	44	8,4
OBR 200M-2K*	230	50	260	1,5	8	2900	1700	55	B	44	9,3
OBR 200T-2K	380	50	140	0,7	-	2950	1800	60	B	44	8,3
OBR 200T-4K	380	50	190	0,9	-	1465	850	55	B	44	8,4

*Backward Curved Fans / The sound level is measured at a distance of 3 m in open field condition.

